

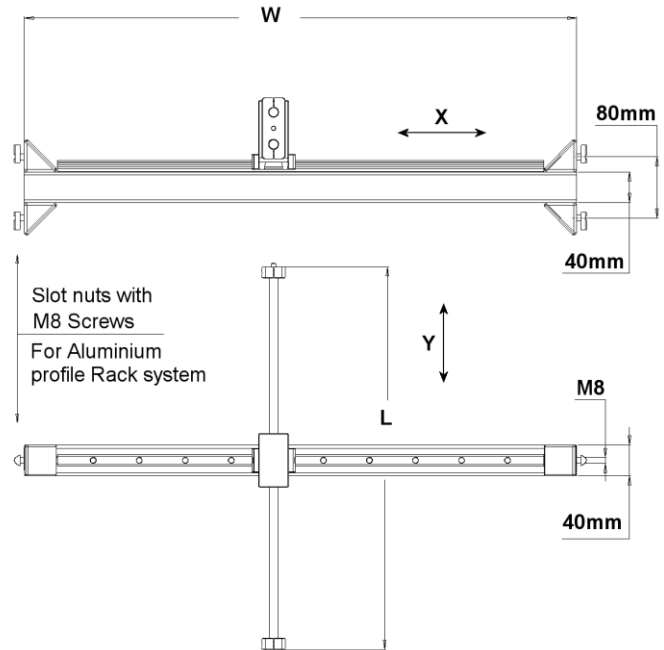
XY-travel Stand



Quality of Inspection

In-Line

The Inspectis XY-travel Rack Mount provides smooth lateral movement of the Digital Microscope over the object under inspection. Designed for installation in commonly used industrial racks to provide fully integrated online inspection solutions. Use especially over conveyor lines or for processes where object handling is undesirable..



Custom cut linear guiding system mounted on high density aluminum profile for X-travel and a rigid custom sized double-arm boom creates requested Y-travel range of the Digital Microscope. The X profile is fitted with mounting brackets to allow the correct setting of working distance during installation in the user's rack system.

Made of high quality aluminium and Stainless Steel parts.

Specification:

X-travel range*	Custom made 100 to 750 mm. $X = W - 120$ mm
Y-travel range*	Custom made 100 to 600 mm. $Y = L - 110$ mm
Working Distance range*	Adjustable from 60 to 300 mm.
Weight	~ 4.0 to 9.0 kg depending on W and L lengths
Fastener to rack	Slot nuts with M8 screws (8mm slot on Rack needed)
Others	ESD protected



Ordering Number/Name

HD-170 XY-Travel Stand, In-Line

Reseller:



www.linkhamson.com
sales@linkhamson.com
01494 439786



V1, 2018

www.inspect-is.com