

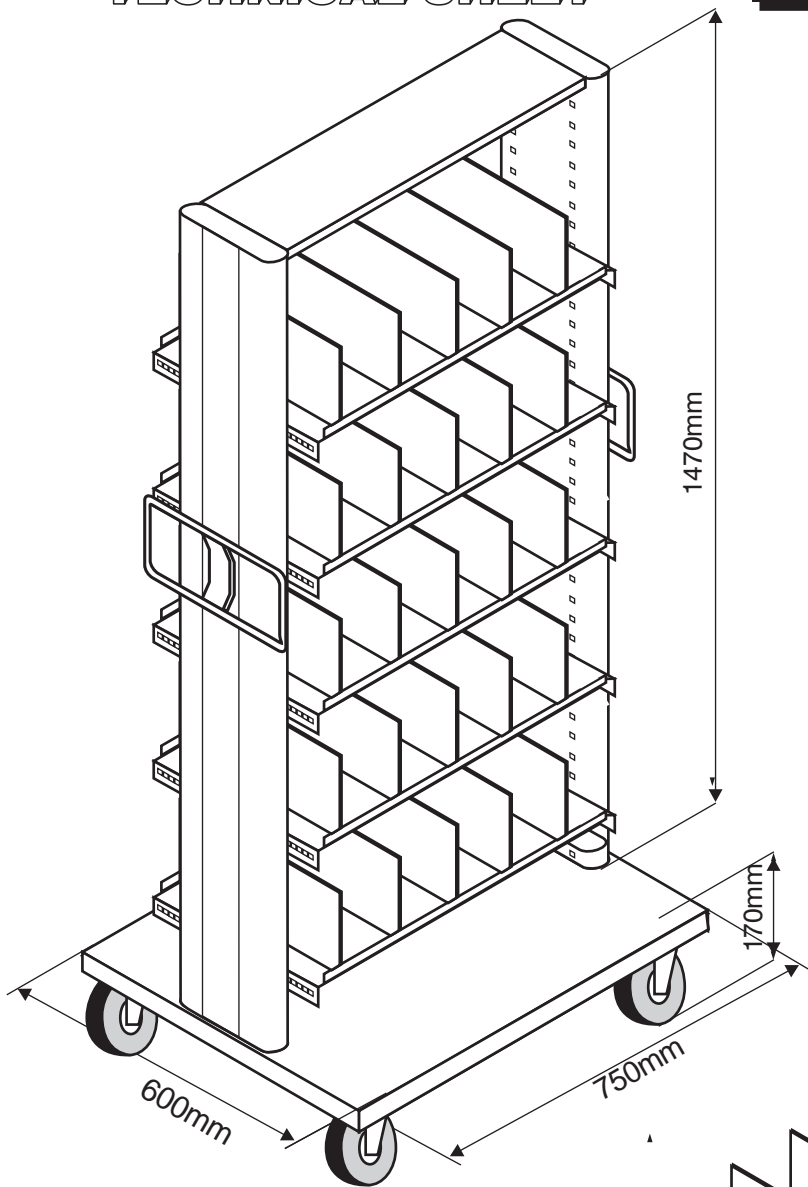
# CHARIOTTE

## OPEN FRAME DIP TUBE STORAGE

CHARIOTTE conductive trolleys are a suitable solution for DIP tube storage and handling.

This solution is realized with standard shelf and metal plate dividers.

Open frame dip tube storage is the cheaper solution and is well suitable for automatic machines and manual work station feeding.



Conductive castors  
Φ 125mm

### PART LIST

- 8100.050** Baseplate with conductive castors Φ 125mm
- 8100.054** Lateral support post  
(30 M6 screw and floating nuts included)  
(note : Lateral support posts are 2 each trolley)
- 8100.056** Lateral Handle
- 8100.058** Upper tie
- 8100.065** SHELF P370 (dim.370x630mm)
- 8100.080** DIP tube SHELF DIVIDER

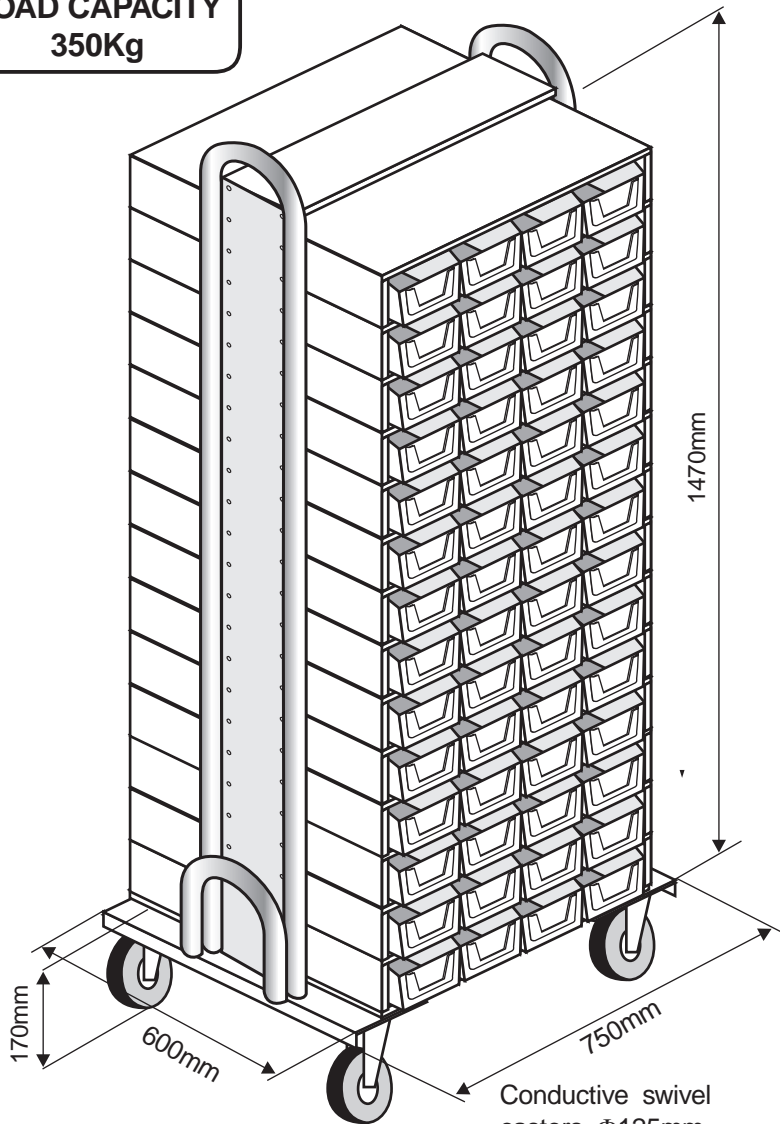


www.linkhamson.com  
sales@linkhamson.com  
01494 439786



Compliance with EN 100015-1

**LOAD CAPACITY**  
350Kg



Conductive swivel castors  $\Phi$ 125mm (2 with brake)

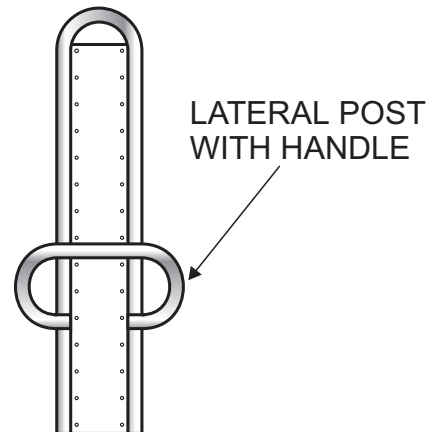
## CHARIOTTE

### DIP TUBE STORAGE WITH CONDUCTIVE BOXES

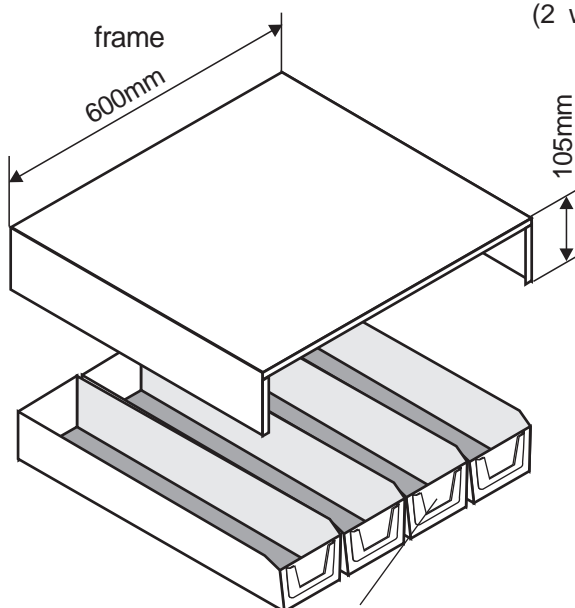
CHARIOTTE conductive trolleys are suitable for dip tube storage and handling.

This solution with conductive plastic boxes and external metal plates is the most suitable for mobile storage cabinets.

The maximum module number is 14 and the total box number 7806.679 is 56 (14x4).  
The total box number with 7804.700 is 70 (14x5).



LATERAL POST WITH HANDLE



n.4 single dip tube bins in conductive plastic material (n.5 in LABEPLAST material)

#### PART LIST

- 8100.050** Baseplate with conductive castors  $\Phi$  125mm
- 8100.054** Single Stainless Steel lateral support post (30 M6 screw and floating nuts included) (note : Lateral support posts are 2 each trolley)
- 8100.055** Single lateral post with Handle
- 8100.058** Upper tie
- 8100.090** FRAME for dip tube bins (max.14)
- 7804.679** DIP tube conductive bin 1562-4AS injection-molded, very strong ext. dim.. 620x140x90(H)mm
- 7806.700** Dip tube conductive bin made from LABEPLAST ext. dim.620x112x90(H)mm



**Typical resistance to Ground**  
 $R_G = 10^3$  to  $10^5 \Omega$



www.linkhamson.com  
sales@linkhamson.com  
01494 439786

**Compliance with IEC 61340-5-1**