

CHARIOTTE

MOBILE STORAGE CABINET

CHARIOTTE mobile storage cabinet is assembled with standard cabinets made from conductive polystyrene.

Every layer is made up of 6 standard cabinets, 24 or 48 bins .

It is possible to compose the CHARIOTTE with 1,2 or 3 layers and with mixed cabinets.

conductive castors
Φ 125mm

Part list

- | | |
|-----------------|---|
| 8100.050 | Baseplate with 125mm diam. conductive castors |
| 8100.091 | Outer assembling plate for 6 cabinets |
| 8100.092 | Inner assembling plate for 6 cabinets |
| 8100.093 | Upper tie |
| 8100.094 | Hexagonal stud M10x546mm |
| 8100.095 | Hexagonal stud M10x576mm |
| 8100.096 | Hexagonal nut M10x30mm |
| 7804.640 | Mod.551 cabinet
48 bins, int.dim.:65x150x34mm |
| 7804.662 | Divider V1 for bins |
| 7804.642 | Mod.554 cabinet
24 bins, int. Dim.:86x150x55mm |

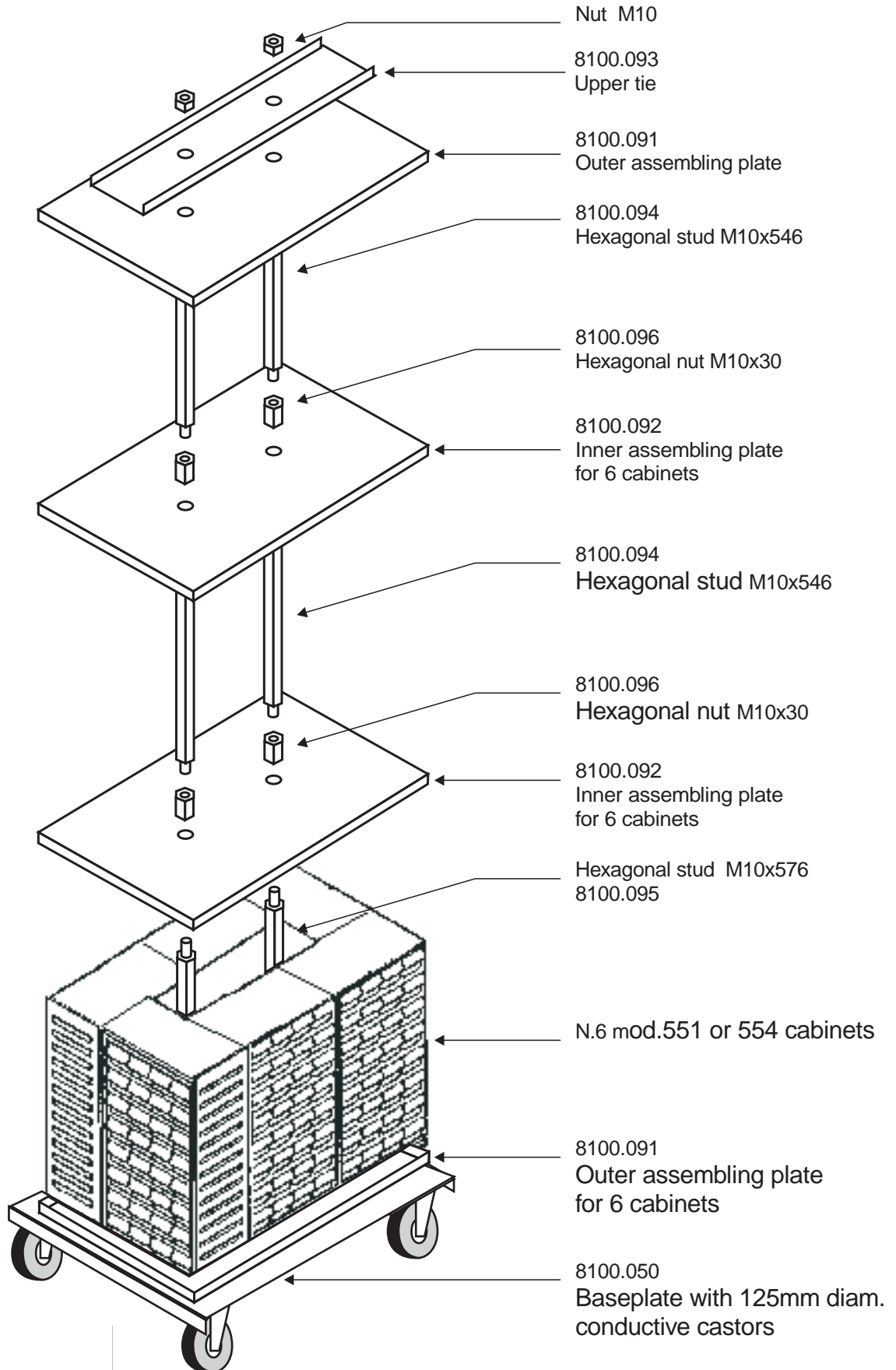


www.linkhamson.com
sales@linkhamson.com
01494 439786



Compliance with EN 100015-1

CHARIOTTE MOBILE STORAGE CABINET ASSEMBLY DRAWING



www.linkhamson.com
sales@linkhamson.com
 01494 439786

